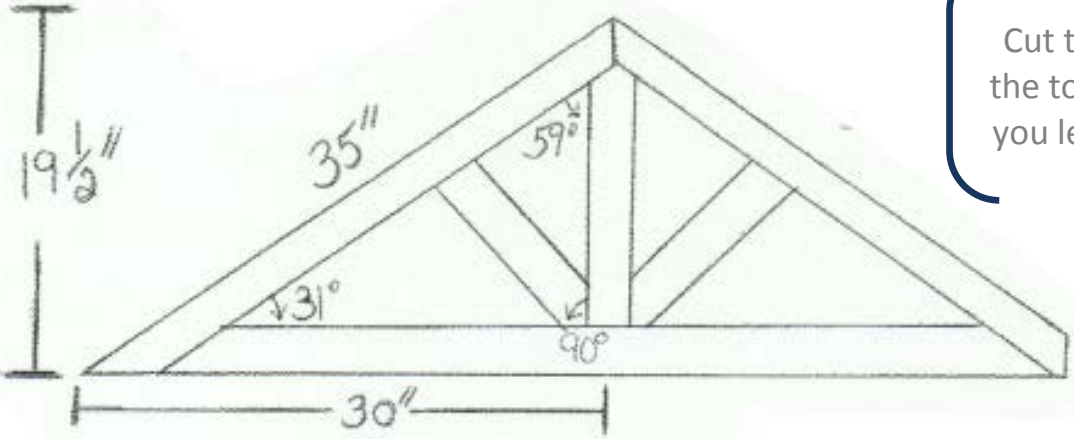


4th ANNUAL NWT-NORTH REGIONAL SKILLS COMPETITION

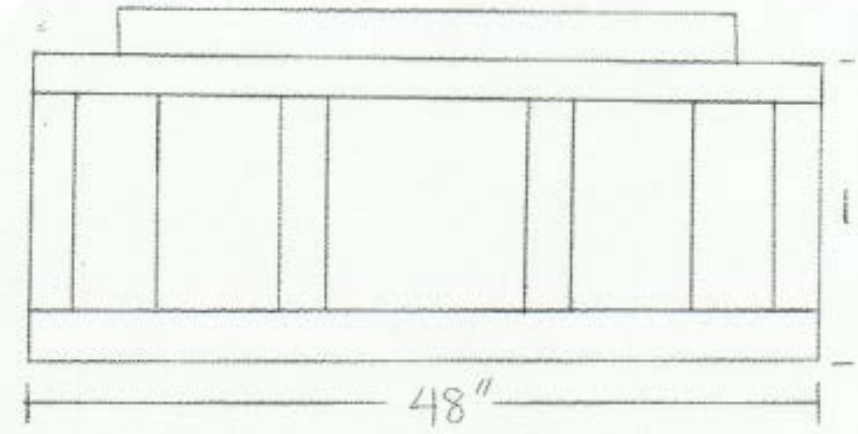
CARPENTRY – PROJECT DOCUMENT & SCORING RUBRIC

RAFTER



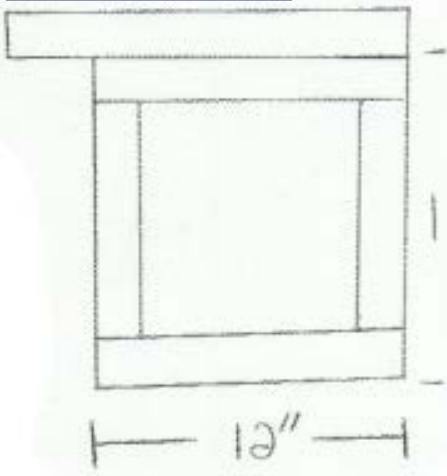
Cut the rafter at 90° to the top plate, make sure you leave a 3" overhang

FRONT WALL



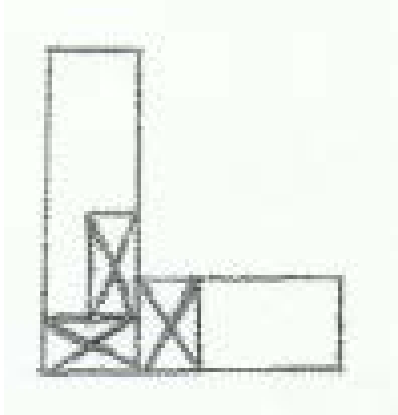
- 16" O.C. Studs
- L-construction corners
- Overlap top plates

SIDE WALL



You will need to build 2 of these side walls.

L-CORNER



SCORING RUBRIC

Framing Work	Possible Points	Score
Measurement Accuracy	10	
Corner Construction	5	
Plate Construction	5	
16" O.C.	5	
Square Cuts	5	
Nailing Accuracy	5	
Total 35		

Gable Construction	Possible Points	Score
Angles Accurate	10	
Braces Proper	5	
Nailing Accuracy	5	
Measurement Accuracy	5	
Cut Accuracy	5	
Total 30		

Overall Project	Possible Points	Score
Independent Work	20	
Amount Completed	15	
Total 35		

Competitors Name: _____

Total Score

_____ **100**

Judges Name: _____